
PCT100 Industrial Temperature Sensor

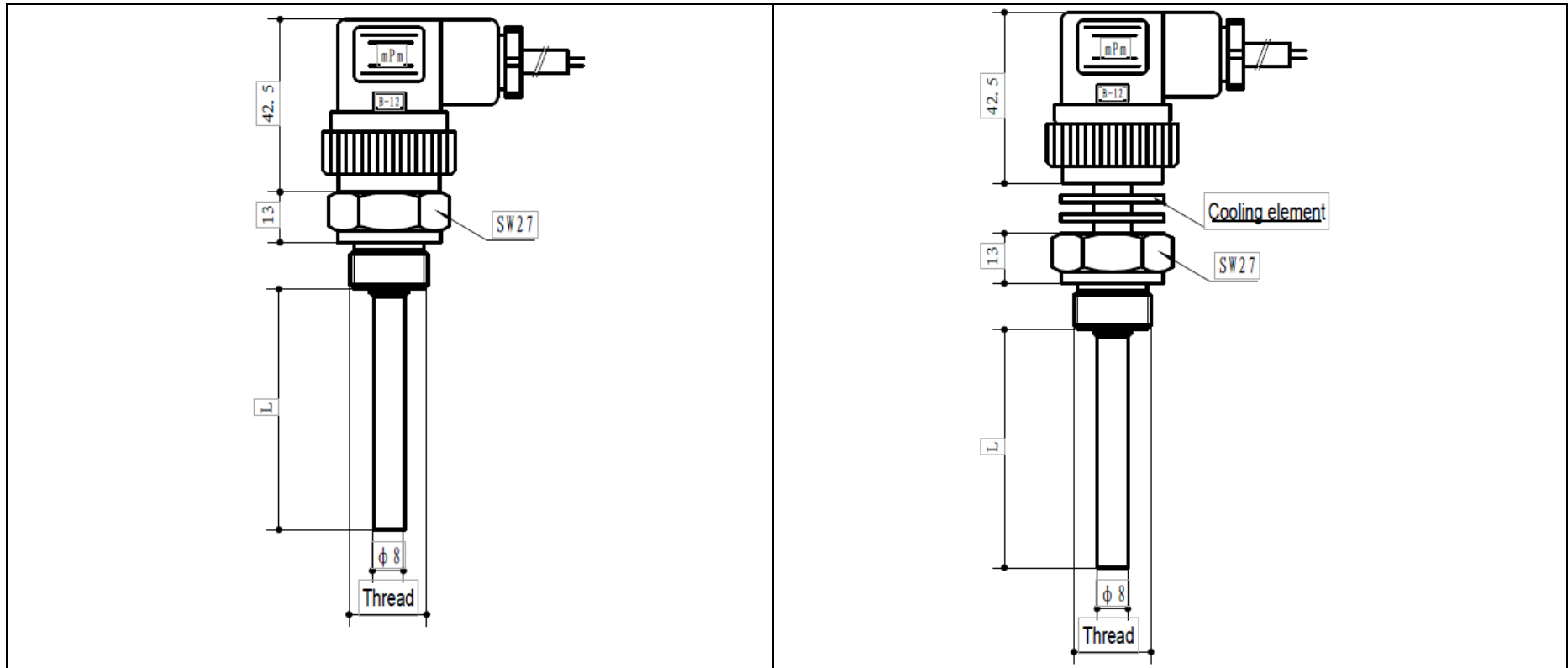


Platinum temperature sensor

Vibration resistance, good reliability, high accuracy

PT100, (PT1000 selectable)

Temperature range	
Temperature range	-50°C to 250°C
Specification	
Long term stability	≤0.2
Resistance value R0 (at 0°C)	Class A: 100±0.06Ω
Allowable deviation value Δ °C	Class A: ±(0.15+0.002 t)
Heat response time	<30S
Minimum insertion length	≥10mm
Insertion diameter	Φ8mm (others please specify)
Insulation	100MΩ/250VDC
Current	≤5mA
Protection	IP65 IP68
Electrical connection	DIN43650



2 Wires

Wire	Connection
red	Pt100
white	Another side of Pt100

3 Wires

Wire	Connection
red	Pt100
white	Another side of Pt100
white	Compensation wire

PCT100 XX-XX-XX-XX-XX

Temperature range

Please write directly

Insertion length

L30: 30mm

L50: 50mm

L75: 75mm

L100: 100mm

L150: 150mm

Wire output

W1: 2 wire connection

W2: 3 wire connection

Sensing element

P1: Pt100

P2: Pt1000

Insertion length

Please write directly