

BPA Pressure Switch

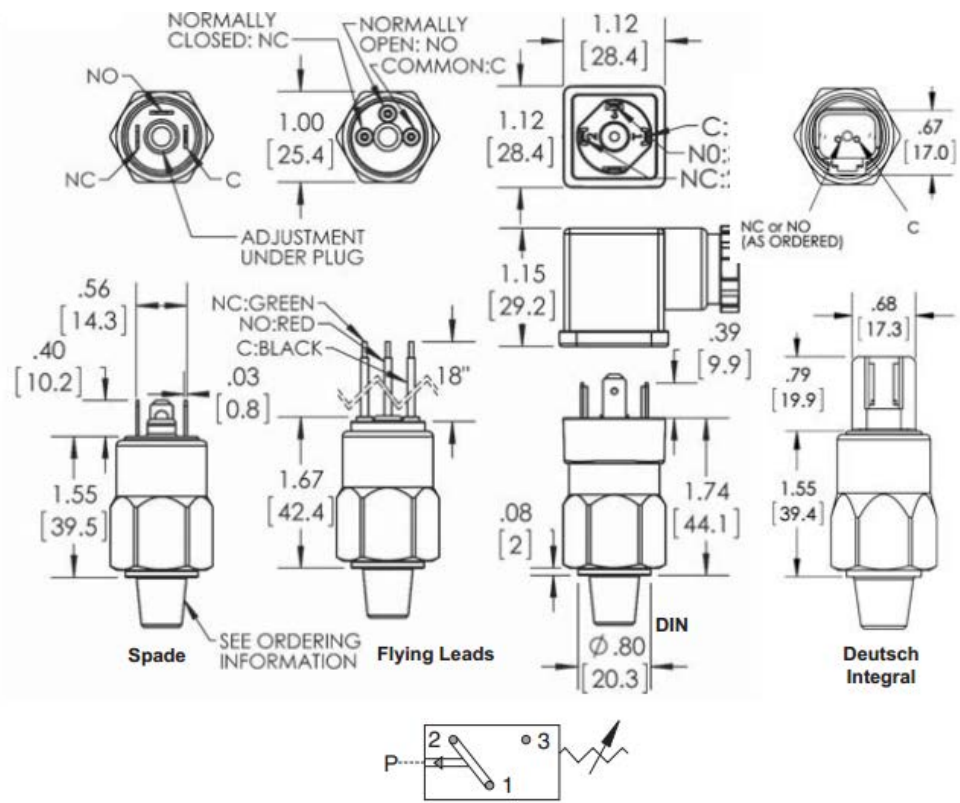


Specification	
Adjustment range	5..3500 PSI (bar and MPa available)
Average differential	3..300 PSI (bar and MPa available)
Repeatability	±2% of full set point range at 21 °C Ambient Temperature
Temperature range	Buna-N: -15° ..230°F (-26° ..110°C) EPDM: -10° ..250°F (-23° ..121°C) KAPTON® : -40° ..230°F (-40° ..110°C) VITON®: 0° ..250°F (-18° ..121°C) (® Registered Trademark of DuPont) HNBR: -36°C to 293°F (-38° ..145°C)
Maximum overpressure	9000 PSI (620 Bar)
Electrical	Standard: 3A, 125VAC – U.L. Recognized * Option – 7: 0.2A,60VDC - U.L. Recognized * 5A,250VAC - U.L. Recognized * 5A,12/24VDC - U.L. Recognized *
Switch type	Snap Action
Protection	Exposed terminal – IP00 DIN HC – IP65 Flying leads, M12, Deutsch Integral – IP69
Wetted material	Diaphragm: Buna-N (standard) (Optional EPDM, KAPTON®, HNBR, VITON®)

CE

	Housing: Trivalent Chromate Plated Steel (Optional Steel – Electroless Nickel Plated Steel) (Optional 316 Stainless Steel)
Mechanical life	1,000,000 cycles
Weight	0.2 LBS(0.09 kg)

Electrical Connector



ORDERING INFORMATION

BPA	- * 2	- * R	- 4M	- C	- H	- * 1
Model	Set Point	Direction	Port Size	Circuit	Terminal	Options
BPA - Field Adjustable	See Above Adjustment Ranges	R - PSI Rising F - PSI Falling BR - Bar Rising BF - Bar Falling	2M - 1/8 NPT 4M - 1/4 NPT 2G - 1/8 BSPP 4G - 1/4 BSPP (undercut for an o-ring seal) 4GS- 1/4 BSPP (no undercut) 4S - 7/16X20 SAE MALE 4SW - 7/16X20 SAE Swivel 6S - 9/16X18 SAE MALE M10 - M10X1 M12 - M12X1.5 <i>Consult Factory for Specials.</i>	A - SPST / NO B - SPST / NC C - SPDT	SP - 1/4" x 1/32" Spade TS - 6-32 Terminal Screws FL - 18" Flying Leads FLWTF - Weatherpack Tower Female FLWTM - Weatherpack Tower Male FLWSF - Weatherpack Shroud Female FLWSM - Weatherpack Shroud Male H - DIN 43650A Male Half Only HC - DIN 43650A Cable Clamp HN - DIN 43650A 1/2 Conduit (female) HCC - XXX (Specify Length in Inches) HC11A - DIN Light NO/NC 110V HC11B - DIN Light NO/NC 12VDC HC11C - DIN Light NO/NC 24VDC HC11D - Indicating Light Green/Red DI - Deutsch Integral M12 - M12 X 1	* - Omit If Standard 1 - VITON® Diaphragm 2 - EPDM Diaphragm 3 - KAPTON® Diaphragm * * For Model Ranges 1,1A & 2 Only 15 - Low Temp Nitrile Dia. 4 - 316 SS Housing 4A - Steel - Electroless Nickel Plated 5 - Spiral Restrictor 6 - Oxygen Cleaned 7 - Gold Contacts UL - UL Recognized** **For Selected Models Only - Consult Factory
BPF - Factory Set	<i>*Model BPF Specify Set Point Required</i>	<i>*Omit For Model BPA</i>				