
PCM3008(WTR08) Industrial Pressure Transmitter



- Piezoresistive silicon chip employed
- Perfect long term stability
- MEMS Technology
- CE certificate

PCM3008(WTR08) industrial pressure transmitter is a standard and most popular transmitter applied in air and liquid pressure measuring. A high sensitivity silicon pressure chip is employed in the sensor. The most important specification for industry application is long term

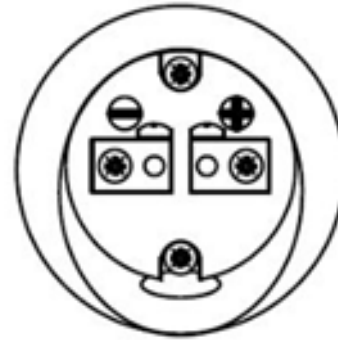
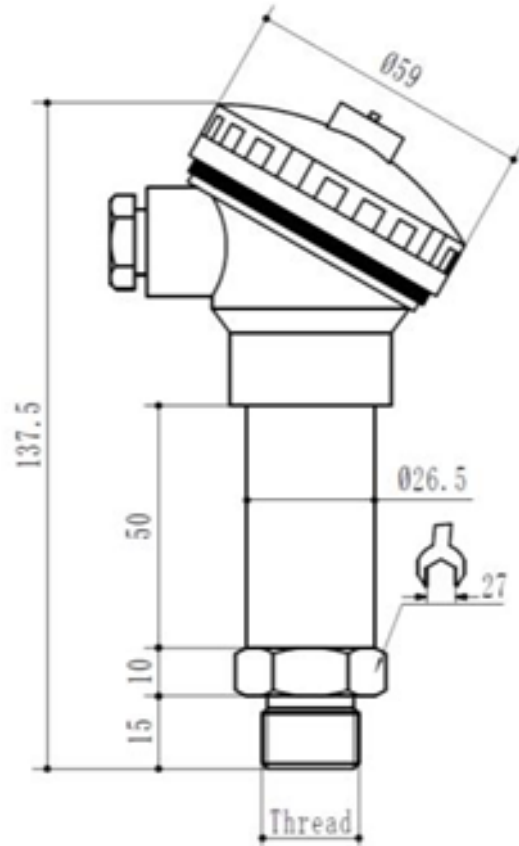
stability.

The PCM3008(WTR08) pressure transmitter is designed for industry application with perfect long term stability.

CE

Pressure range	
Pressure range	-100kPa, 10Kpa, 35kpa, 70kpa, 100kpa, 250kpa, 400kpa, 600kpa, 1MPa, 1.6MPa, 2.5MPa, 4MPa, 6MPa, 10MPa, 16MPa, 25MPa, 40MPa, 60 MPa, 100MPa
Pressure reference	Gauge pressure Absolute pressure Sealed gauge pressure
Overpressure	300%F.S.($\leq 70\text{kPa}$) 200%F.S.($< 25\text{MPa}$) 150%F.S.($\geq 25\text{MPa}$)
Output signal	
Output	4 to 20mA
Specification	
Accuracy (linearity, repeatability and hysteresis)	$\pm 0.5\%$ F.S. (Typical)
Excitation	24VDC
Compensated temp.	-10-70°C(typical) -20-85 °C(available)
Operating temp.	-20-125°C
Storage temp.	-40-125°C
Zero temp. coefficient	$\pm 1.5\%$ F.S.max.(-10-70° C)
Span temp. coefficient	$\pm 1.5\%$ F.S.max.(-10-70° C)
Pressure connection	see last page "how to order"
Protection	IP65
Housing material	Stainless steel 304 (SS316 for sensor inside)
Long-term stability	$\leq 0.2\%$ F.S./year
Weight	350g(approx)

Drawing and connection

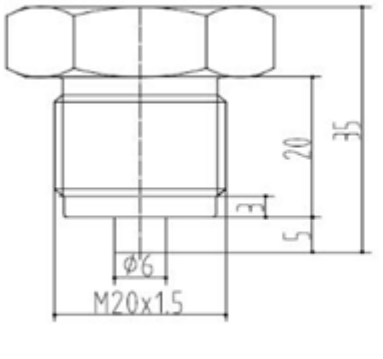
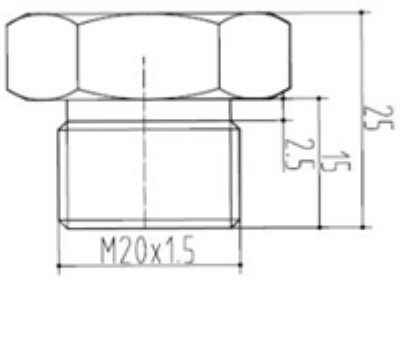
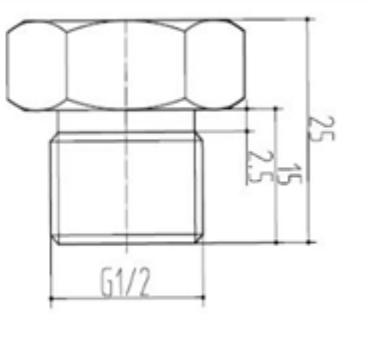


Connection:↵

⊕ : Excitation ↵↵

⊖ :Output↵↵

Pressure port

Thread	M20*1.5	M20*1.5	G1/2
Dimension in mm Hex 27mm			
Code	A1(with tube)	A2	A3

How to order

PCM3008(WTR08) XX—XX—XX—XX

Pressure range

Please write directly

Pressure reference

- A: absolute pressure
- G: gauge pressure
- S: sealed gauge pressure

Snubber

- K1: without snubber
- K2: with snubber

Pressure connection

- A1: M20*1.5(with tube)
- A2: M20*1.5
- A3: G1/2
- A4: 1/4-18NPT
- A5: others (please specify)