
PCM450(WTR12) Sanitary Pressure Transmitter



- Flange DN25 and DN50 connection available
- 4 to 20mA 2-wire output, others available
- CE certificate

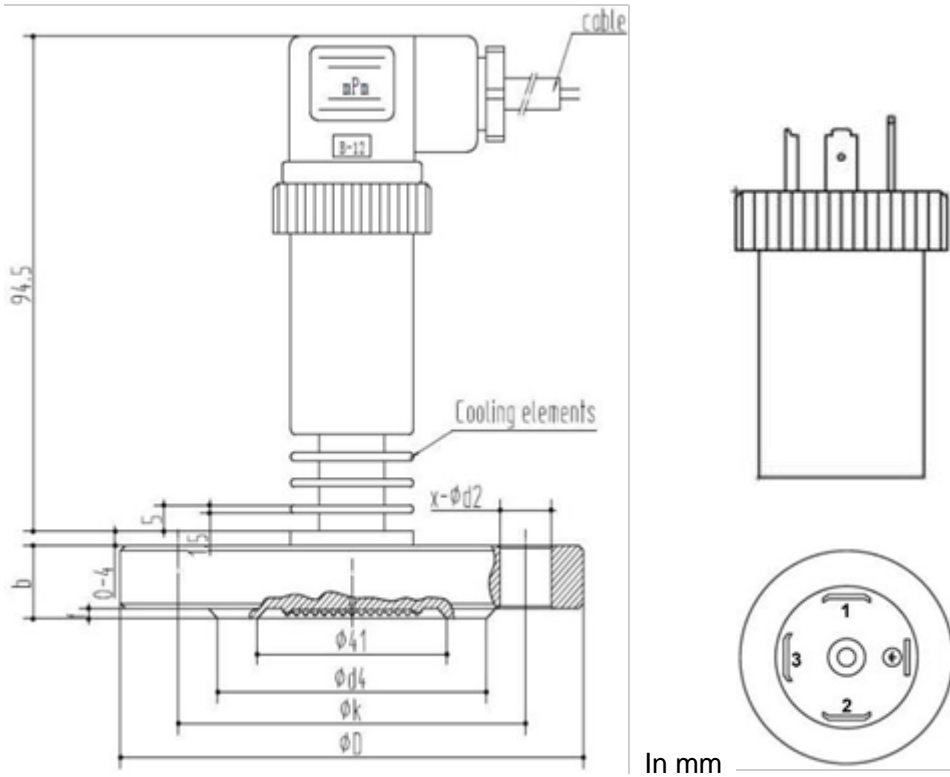
PCM450(WTR12) meets the sanitary standard for pressure and level measurement in food, pharmaceutical, cosmetic, and beverage industries. It is designed for “clean in place”(CIP), and “sterilize in place”(SIP) maintenance.

Caution

1. Please do not touch the diaphragm by finger and other hard objects, or it may be damaged
2. The sensor filled with olive oil is for sanitary application. It can't work when the temperature is lower than 0°C, because the olive oil will freeze lower than 0°C.

Pressure range	
Pressure range	1MPa, 1.6MPa, 2.5MPa, 4MPa, 6MPa, 10MPa, 16MPa, 25MPa
Pressure reference	Gauge pressure Absolute pressure Sealed gauge pressure
Overpressure	200%F.S.
Output signal	
Output	4-20mA 4-20mA+HART 4-20mA+RS485 0.5 to 4.5V 1 to 5V 0 to 5V
Specification	
Accuracy (linearity, repeatability and hysteresis)	±0.5%F.S. (Calibrated in vertical mounting position)
Excitation	24VDC 5VDC
Compensated temp.	-10-70°C(typical) -20-85°C(available)
Ambient Temp.	-20-85°C
Media Temp.	-40-125°C
Storage Temp.	-40-125°C
Zero temp. coefficient	±1.5%F.S.max. (-10-70°C)
Span temp. coefficient	±1.5%F.S.max. (-10-70°C)
Pressure connection	see last page "how to order"
Protection	IP65
Housing material	Stainless steel 304 (SS316 for the sensor inside)
Long-term Stability	≤0.2%F.S./year
Weight	1000g(approx)

Electrical connection (DIN 43650)



Hirschmann connection		
2 wire	Pin 1	Excitation+
	Pin 2	Output+
	Pin 3	Pending

Flange Connection

DN in mm	Pressure	D	b	k	d2	n	Raised face	
							f	d4
DN25	1 ~4 MPa	115	18	85	14	4	2	68
	6 ~10 MPa	140	24	100	18	4	2	68
DN50	1 ~4 MPa	165	20	125	18	4	2	102
	6 MPa	180	26	135	22	4	2	102
	10 MPa	195	28	145	26	4	2	102
	16 MPa	195	30	145	26	4	2	102
	25 MPa	200	38	150	26	8	2	102

How to order

PCM450(WTR12) XX—XX—XX—XX—XX—XX—XX

Pressure range

Please write directly

Pressure reference

A: absolute pressure
G: gauge pressure
S: sealed gauge pressure

Excitation

E1: 5V DC
E2: 24V DC

Output signal

S1: 4 to 20mA
S2: 4 to 20mA+HART
S3: 4 to 20mA+RS485
S4: 0.5 to 4.5V
S5: 1 to 5V
S6: 0 to 5V

Accessory (Flange)

N1: without flange accessory
N2: with flange accessory

Oil filling

F1: silicon oil
F2: neobee m-20

Pressure connection

Q1: DN25
Q2: DN50
Q3: others (please specify)