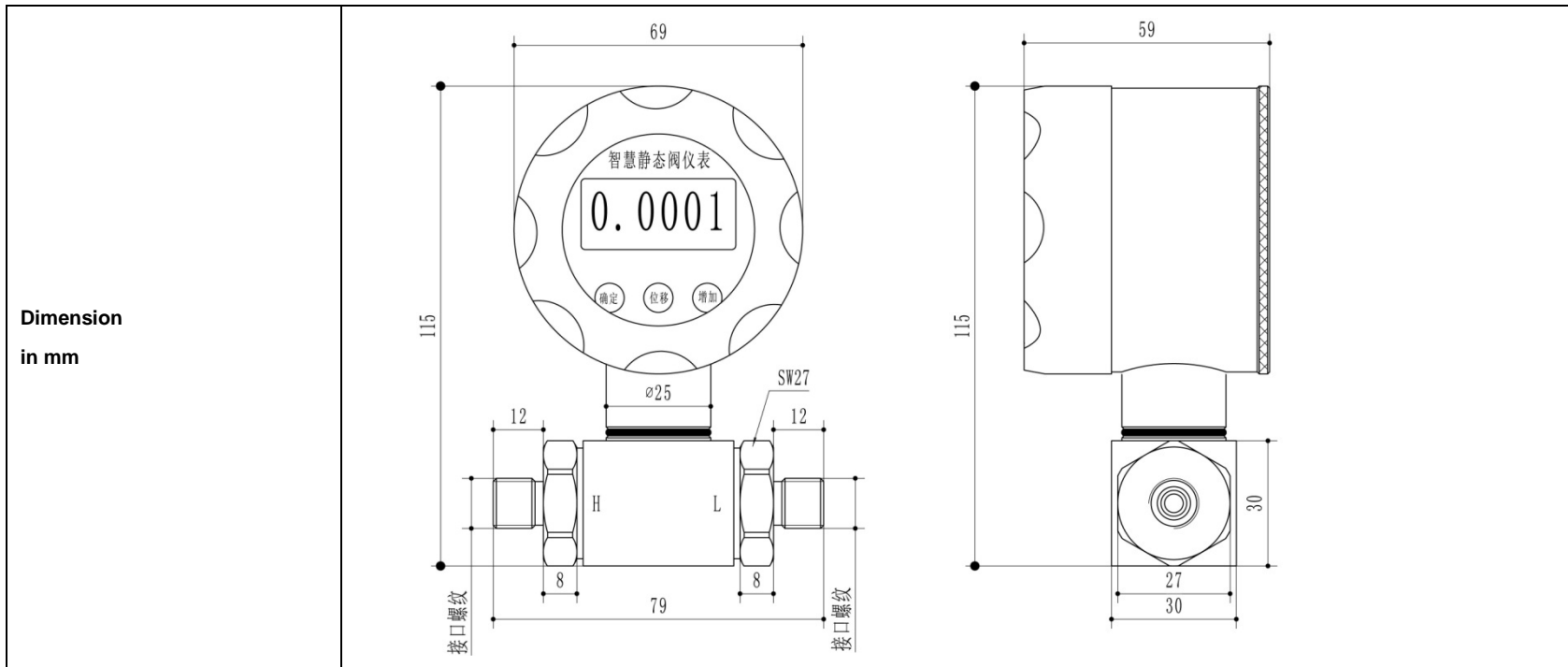

PCM620 Differential Pressure Display



- LCD
- Low power consumption
- Easy installation
- Auto sleep function
- Battery life more than 1 year
- Customization available

PCM620 Differential Pressure Display is battery powered and equipped with LCD, with low power consumption. The highly integrated circuit with microprocessor as core enables on-site pressure measurement, automatic calculation of flow and alternate display of functions. The product has automatic sleep function. The sleep time can be selected according to customer requirement. The product is widely used in equipment matching, scientific experiments, precision instruments, water supply and drainage, differential pressure in power plants, etc.

Pressure range	
Pressure range	20KPa, 35KPa, 70KPa, 100KPa, 250KPa, 400KPa, 600KPa, 1MPa, 1.6MPa, 2.5MPa
Pressure reference	Differential pressure
Overpressure	200%F.S.
Output signal	
Output	Digital display
Specification	
Accuracy (linearity, repeatability and hysteresis)	±0.5%F.S.
Excitation	9V alkaline battery
Operating temp.	-20-85°C
Medium temp.	-20-85°C
Storage temp.	-40-125°C
Zero temp. coefficient	±2%F.S.max.(-20-85° C)
Span temp. coefficient	±2%F.S.max.(-20-85° C)
Pressure connection	see last page "how to order"
Mechanical vibration	20g(20 to 5000HZ)
Shock	100g(11ms)
Insulation	200MΩ/250VDC
Response time	≤1ms(up to 90%FS)
Long term stability	≤0.2%F.S.S/year
Protection	IP65
Material	Aluminum for gauge outfit, stainless steel for shell and 316L for isolation diaphragm
Medium compatibility	All kinds of media compatible with 316L stainless steel
Static pressure effect	±0.5%FS(@1MPa)



How to order

