
PC12(WTP02) Pressure Sensor



- Piezoresistive silicon chip employed
- Perfect long term stability
- MEMS Technology
- CE certificate

PC12(WTP02) Pressure Sensor is a flush diaphragm sensor. A high sensitivity silicon pressure chip is employed in the transducer. The sensor is welded within the housing, and no leakage will happen. It is more reliable compared with O-ring sealing for leakage.

It can be used in sanitary industry with olive oil filling, or silicon oil filling in non-clogging application.

Caution

1. Please do not touch the diaphragm by finger and other hard objects, or it may be damaged
2. The sensor filled with olive oil is for sanitary application. It can't work when the temperature is below 0°C, because the olive oil will freeze below 0°C.

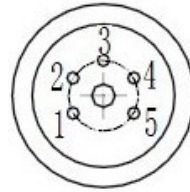
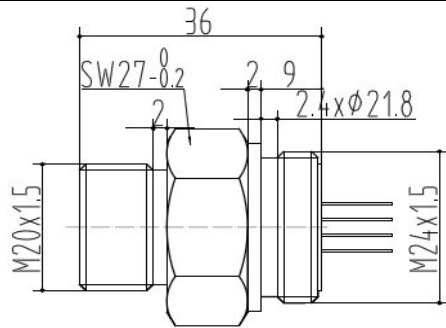
Pressure range

Pressure range

-100kPa, 10kPa, 35kPa, 70kPa, 100kPa, 250kPa, 400kPa, 600kPa, 1MPa, 1.6MPa, 2.5MPa, 4MPa, 6MPa, 10MPa

	Gauge pressure Absolute pressure Sealed gauge pressure		
Overpressure	300%F.S.($\leq 70\text{kPa}$) 200%F.S.($\leq 10\text{MPa}$)		
Output signal			
Zero output	$\pm 2\text{mV}$		
Span output	100mV(Typical) 60mV(for 10kpa)		
Specification			
Accuracy (linearity, repeatability and hysteresis)	$\pm 0.25\% \text{F.S. (Typical)}$		
Excitation	1.5mA (Typical) 5VDC 10VDC		
Compensated temp.	$-10\text{-}70^\circ\text{C}$ (Typical)		
Operating temp.	$-40\text{-}125^\circ\text{C}$		
Storage temp.	$-40\text{-}125^\circ\text{C}$		
Zero temp. coefficient	0.02%F.S. / $^\circ\text{C}$ ($\geq 100\text{kPa}$) 0.04%F.S. / $^\circ\text{C}$ ($< 100\text{kPa}$)		
Span temp. coefficient	0.02%F.S. / $^\circ\text{C}$ ($\geq 100\text{kPa}$) 0.04%F.S. / $^\circ\text{C}$ ($< 100\text{kPa}$)		
Insulation resistance	$> 200\text{Mohm}/250\text{VDC}$		
Bridge resistance	Min.	Max.	Unit
	2600	5500	ohm
Long term stability	$\leq 0.2\% \text{F.S.S/year}$		
Vibration	20g (20-5000HZ)		
Shock	100g, 10ms		
Response time	$\leq 1\text{ms}$ (10% to 90%F.S.)		
Lifetime	10^*10^6 (cycles)		
Oil filling	Silicon oil Olive oil available for sanitary application		
O-ring	NBR, Viton		
Housing and diaphragm	Stainless steel 316L		
Wire connection	4 wire (typical) 5 wire (available) 39 $\times\phi 0.015$, Silicon shielded, 200 $^\circ\text{C}$ bearing		
Pin connection	Kovar pin (0.6um Gold plated)		
Weight	135g(approx)		

Drawing



Pin	Connection	Wire
3	excitation+	red
1,5	excitation-	blue
2	output+	yellow
4	output-	white

In mm

How to order

