

---

## PCT200B Explosion-proof Temperature Transmitter

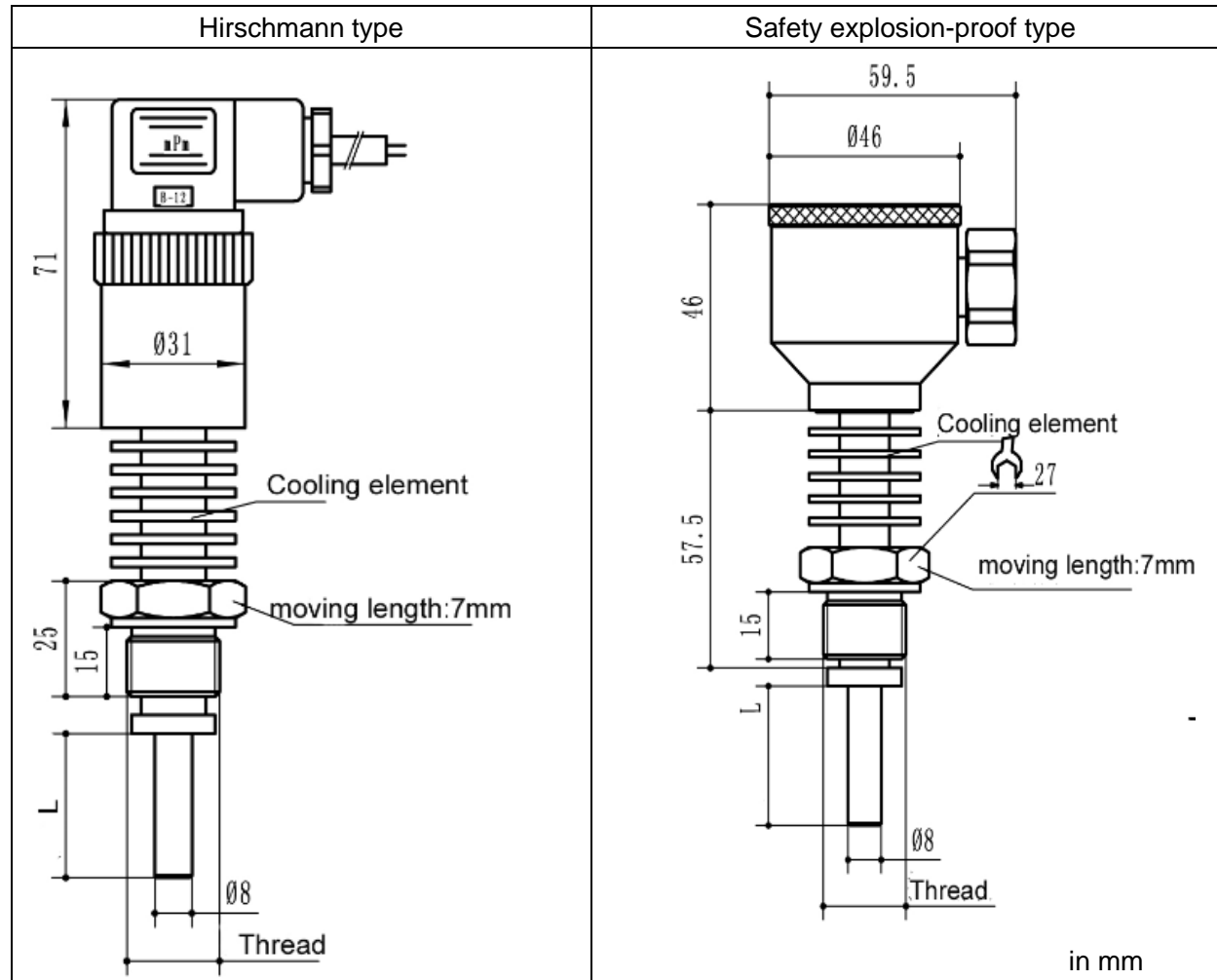


Platinum temperature sensor  
Vibration resistance, good reliability, high accuracy  
With moving thread

Temperature range	
Temperature range	-50°C to 250°C
Specification	
Accuracy (linearity, repeatability and hysteresis)	±0.5%F.S. (Typical)
Excitation	24V
Output	4-20mA
Heat response time	≤30S
Sensing element	PT100
Insertion diameter	Φ8mm (others please specify)

Insulation	100MΩ/250VDC
Protection	IP65

Drawing



PCT200B XX XX XX XX XX

Temperature range

Please write directly

Temperature connection

C1: M20\*1.5

C2: G1/2

C3: NPT1/2

Type

T1: Hirschmann type

T2: Safety explosion-proof

Sensing element

P1: Pt100

P2: Pt1000

Insertion length

L30: 30mm

L50: 50mm

L75: 75mm

L100: 100mm

L150: 150mm