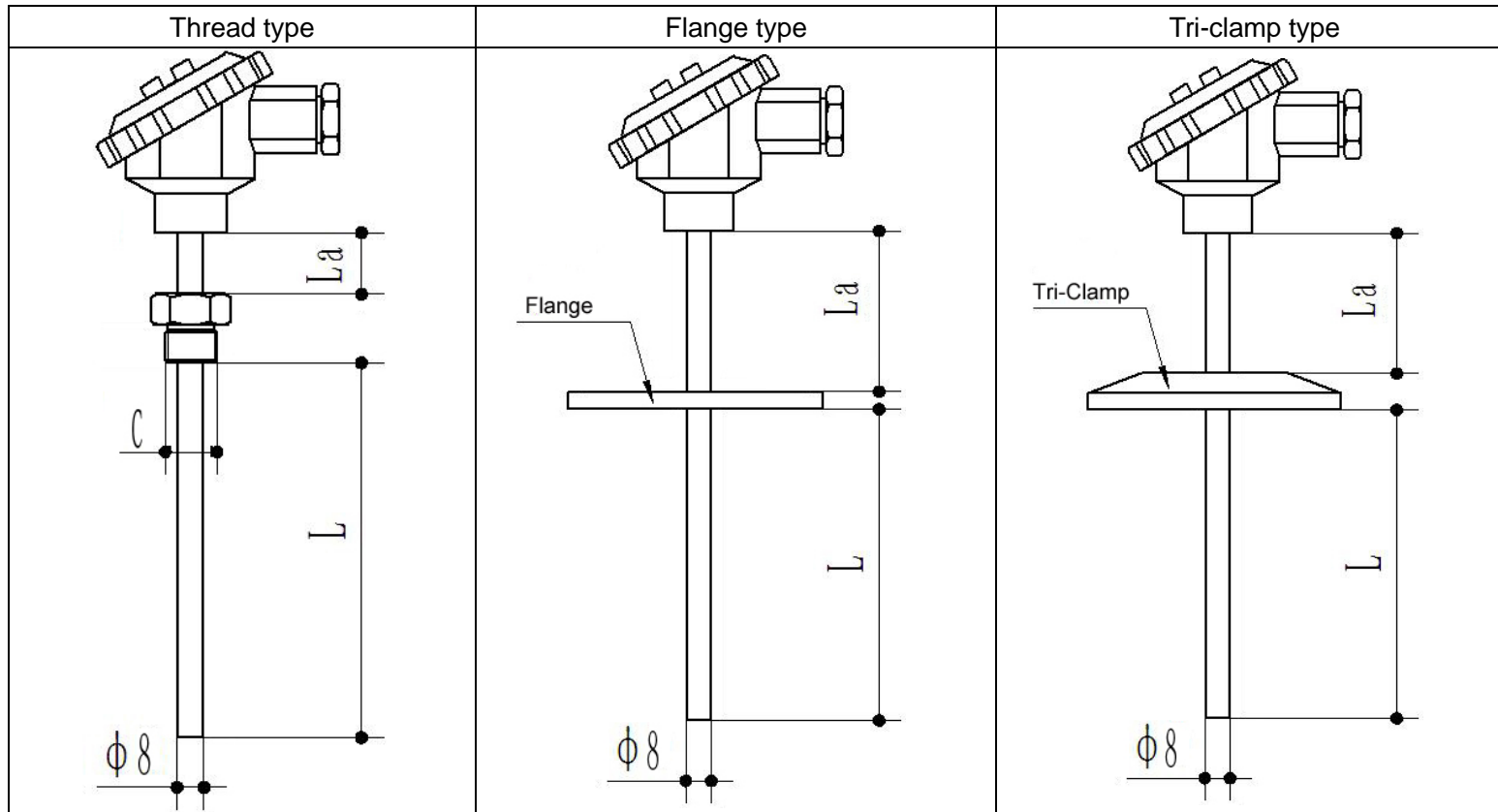

PCT220 Industrial Temperature Transmitter



Platinum temperature sensor

Vibration resistance, good reliability, high accuracy

Temperature range	
Temperature range	-50°C to 250°C
Specification	
Accuracy (linearity, repeatability and hysteresis)	±0.5%F.S. (Typical)
Excitation	24V
Output	4-20mA
Heat response time	≤30S
Sensing element	PT100
Insertion diameter	Φ8mm (others please specify)
Insulation	100MΩ/250VDC
Protection	IP65



PCT220 XX XX XX

Temperature range

Please write directly

Temperature connection

C1: M20*1.5 F1: DN25 K1: 1.5"TC
C2: G1/2 F2: DN40 K2: 2"TC
C3: M14x1.5

Insertion length

L30: 30mm
L50: 50mm
L75: 75mm
L100: 100mm
L150: 150mm